

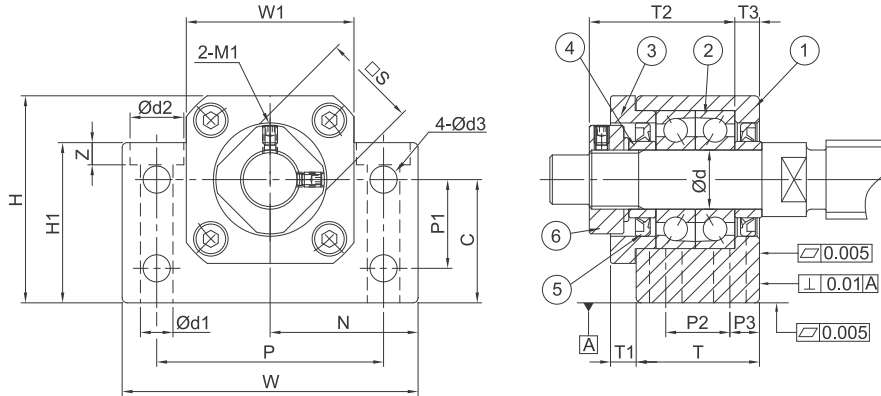
Linear Motion Component ▶ Support Units

Fixed Side Standard Type (Two-Way Mounting Design) | Rectangle Design | GBK

GBK-B



GBK10 ~ GBK40



Standard Type	Dimensions														
	Ød	T	T1	T2	T3	$W_{-0.04}^0$	W1	H	H1	$N_{\pm 0.02}$	$C_{-0.02}^0$	P	P1	P2	P3
GBK10	10	25	5	29.5	5	60	34	39	32.5	30	22	46	15	13	6
GBK12	12	25	5	29.5	5	60	34	42	32.5	30	25	46	18	13	6
GBK15	15	27	6	32	6	70	38	47	38	35	28	54	18	15	6
GBK17	17	35	9	44	7	86	48	63	55	43	39	68	28	19	8
GBK20	20	35	8	43	8	88	50	59	50	44	34	70	22	19	8
GBK25	25	42	12	54	9	106	62	79	70	53	48	85	33	22	10
GBK30	30	45	14	61	9	128	74	88	78	64	51	102	33	23	11
GBK35	35	50	14	67	12	140	86	95	79	70	52	114	35	26	12
GBK40	40	61	18	76	15	160	98	109	90	80	60	130	37	33	14

Ordering Example	GBK Model No.	10 Shaft Dia.	SL Grade/Pre-loaded	N Surface finish	J Bearing category
------------------	------------------	------------------	------------------------	---------------------	-----------------------

Linear Motion Component ► Support Units

Fixed Side Standard Type (Two-Way Mounting Design) | Rectangle Design | GBK

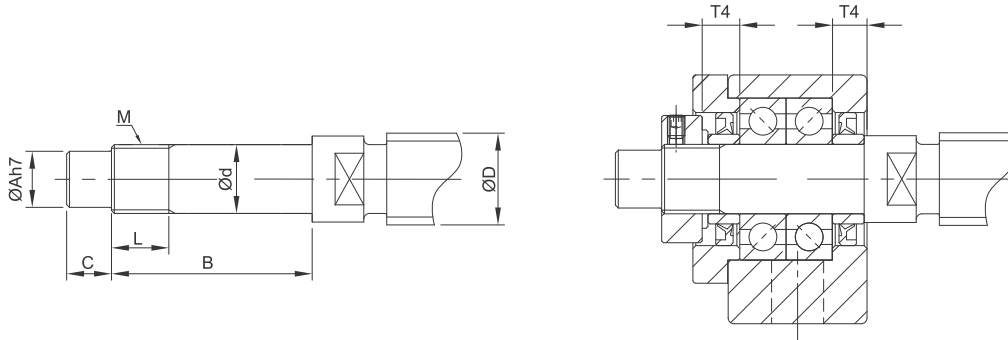


Components

No.	Parts	Material	Q'ty
①	Main housing	S50C	1
②	Bearing	SUJ2	1 pair
③	Cover	S50C	1
④	Space ring	S50C	2
⑤	Seal ($\lt; \text{Ø}8$ one seal only)	NBR	2
⑥	Lucknut	S50C	1

- ①②③ are in one unit. No disassemble for accuracy concern.
- Bearing filled with proper lithium soap lubricant and sealed.

Recommended Processing Dimensions of Shaft



Unit : mm

Dimensions						Recommended Processing Dimensions of Shaft							
						Ball Screw Shaft O. D.		Shaft End Diameter	Processing Sizes of Shaft			Nominal Thread	
Ød1	Ød2	Z	Ød3	M1	□S	ØD	Ød	ØA	B	C	M	L	T4
6.3	10.5	6.5	5.5	M3	16	12 / 14 / 15	10 ^{+0.005} _{-0.012}	8	36	15	M10*P1.0	16	5.5
6.3	10.5	1.5	5.5	M3	19	14 / 15 / 16	12 ^{+0.005} _{-0.012}	10	36	15	M12*P1.0	14	5.5
6.3	10.5	6.5	5.5	M3	22	18 / 20	15 ^{+0.005} _{-0.014}	12	40	20	M15*P1.0	12	6
8.7	14	8.6	6.6	M4	24	20 / 25	17 ^{+0.005} _{-0.014}	15	53	23	M17*P1.0	17	7
8.7	14	8.5	6.6	M4	30	25 / 28	20 ^{+0.005} _{-0.012}	17	53	25	M20*P1.0	15	8
10.7	17.5	10.8	9	M5	35	32 / 36	25 ^{+0.005} _{-0.014}	20	65	30	M25*P1.5	18	9
13.7	20	13	11	M6	40	36 / 40	30 ^{+0.005} _{-0.015}	25	72	38	M30*P1.5	25	9
13.7	20	13	11	M8	50	45	35 ^{+0.005} _{-0.015}	30	81	45	M35*P1.5	28	12
17.7	26	17.5	14	M8	50	50	40 ^{+0.005} _{-0.015}	35	93	50	M40*P1.5	35	15

- Supported Side spec refer to P.0049~P.0050